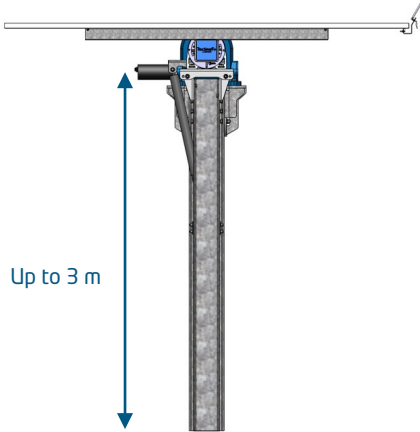


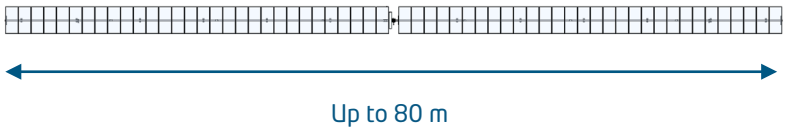
AgriPV

by Solar Steel

Side view



Front view

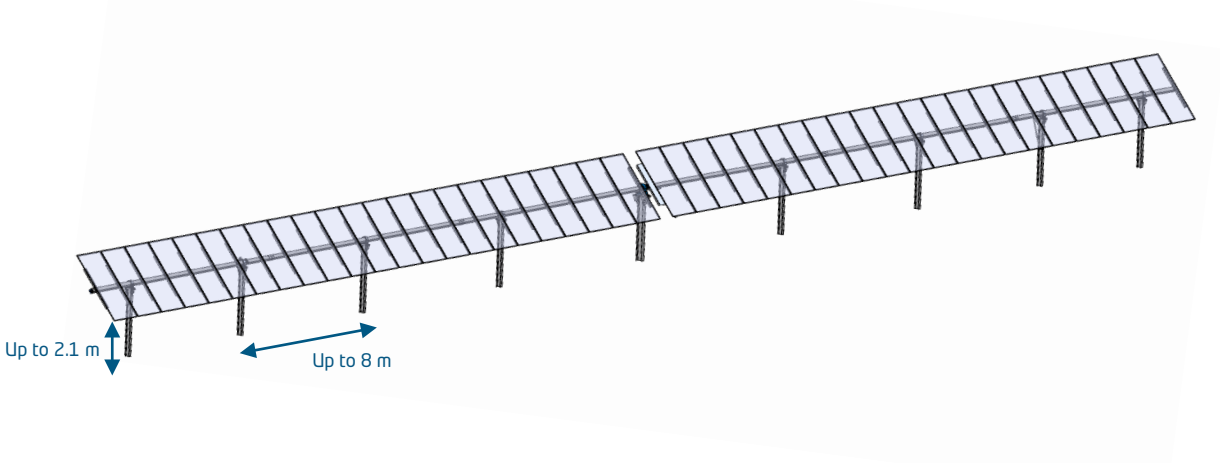


Extensively adapted to customer and AgriPV project needs

±60*
Tracking range

(*) Adaptable according to project requirements and crop evolution.

Ground clearance



Conforms to the following European standards:

-  [DM Agrivoltaico - Regole Operative](#)
-  [DIN SPEC 91942 03-2024](#)
-  [ECOR2404313A - Arrêté du 5 juillet 2024](#)

Click on the different regulations to view the individual original documents.

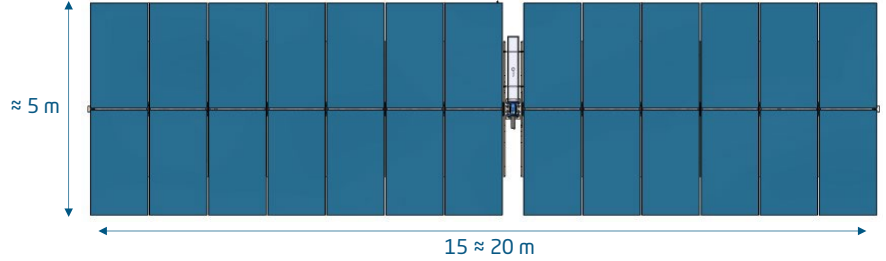
Main features

Strings per row M10/M12 cell type	Up to 2x30 modules
Beam support	Self-locking in stow position
Admissible slope N-S / E-W	15% / 15%
Ground adaptability	SmartSlope+ optional
Piles per tracker	Up to 13

Side view



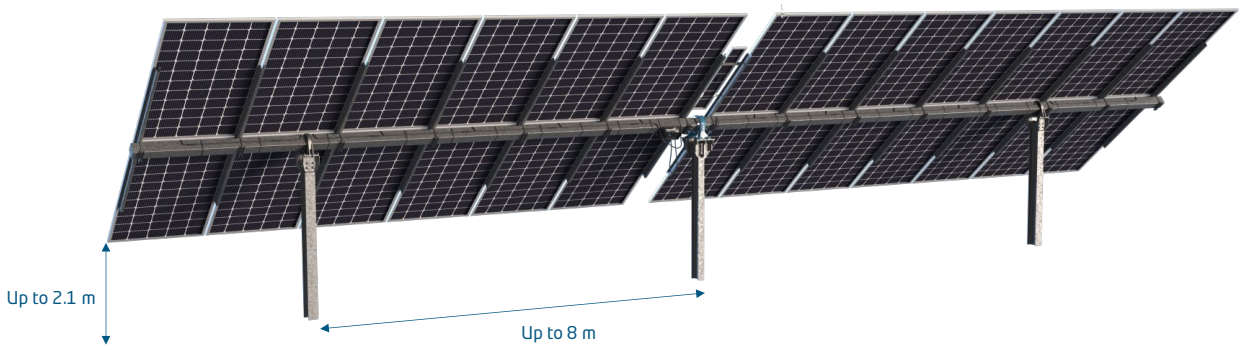
Front view



±55*
Tracking range

(*) Adaptable according to project requirements and crop evolution.

Ground clearance



Conforms to the following European standards:



Click on the different regulations to view the individual original documents.

Main features

Strings per row M10/M12 cell type	Up to 1x32 Up to 1x30
Beam support	Self-locking in stow position
Admissible slope N-S / E-W	15%
Piles per tracker	3



TracSmarT+ System

Having our own control system provides us with a wide range of possibilities, allowing the on-site user to modify and adjust the different positions and rotation angles for various field tasks and crop stages.

Additionally, it features an advanced data analysis system capable of performing predictive maintenance, allowing us to anticipate potential issues and avoid costly interruptions in the field.

Main features

Solar Tracking Algorithm	Solar Steel TracSmarT+ System SPA-NREL
Communication	Zigbee
Accuracy	+/-1°
SCADA integration	Modbus TCP

AgriPV | TracSmarT+ System

1 to 4
Fully adaptable slots

Limited
tracking range

Different crops
same AgriPV park

Pre-customized positions	Self-cleaning, hail&snow and face to face cleaning position
Customizable positions	Up to 4
Tracking angle	Adaptable to crop season and livestock's height Allow to limit tracking angle by groups or tracker per tracker



Solar Steel

Gonvarri Industries

